

Product

BUTT-WELDED PIPE FITTINGS SERIES:



45° ELBOWS



90° ELBOW



90° ELBOW



180° ELBOW



STRAIGHT TEE



REDUCING TEE



CROSS



CONCENTRIC
REDUCER



ECCENTRIC REDUCER



BENDS



LAP JOINT STUB ENDS

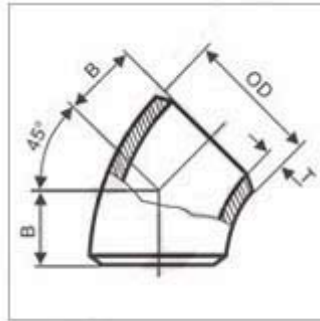


CAP

NAME: 45°BOTT-WEIDED ELBOW

MATERIAL:

A234-WPB.A420-WPL6.A234-WP12.A234-WP11.A234-WP5.A403-WP304.A403-WP304L.A403-WP316.A403-WP316



L.

SIZE: 1/2"-48"、DN15-DN1200

PRESSURE: Sch5-Sch160、XXS

STANDARDS: ISO、ANSI、JIS、DIN GB/T12459、GB/T13401、ASME B16.9、SH3408

SH3409、HG/T21635、HG/T21631、SY/T0501

USE: Petroleum, chemical, power, gas, metallurgy, shipbuilding, construction, etc.

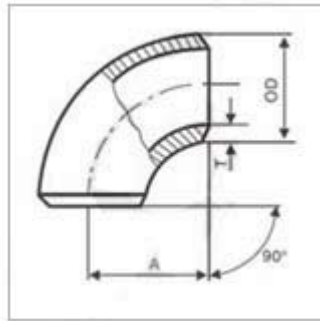
PRODUCT DRAWING

PRODUCT CONSTRUCTION

NAME: 90°BOTT-WEIDED ELBOW

MATERIAL:

A234-WPB.A420-WPL6.A234-WP12.A234-WP11.A234-WP5.A403-WP304.A403-WP304L.A403-WP316.A403-WP316



L.

SIZE: 1/2"-48"、DN15-DN1200

PRESSURE: Sch5-Sch160、XXS

STANDARDS: ISO、ANSI、JIS、DIN GB/T12459、GB/T13401、ASME B16.9、SH3408

SH3409、HG/T21635、HG/T21631、SY/T05010

USE: Petroleum, chemical, power, gas, metallurgy, shipbuilding, construction, etc.

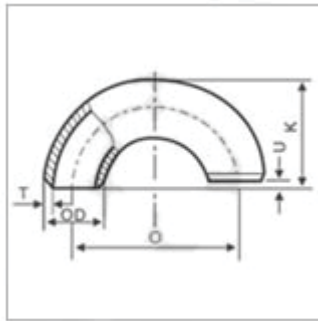
PRODUCT DRAWING

PRODUCT CONSTRUCTION

NAME: 180°BOTT-WEIDED ELBOW

MATERIL:

A234-WPB.A420-WPL6.A234-WP12.A234-WP11.A234-WP5.A403-WP304.A403-WP304L.A403-WP316.A403-WP316



L.

SIZE: 1/2"-48"、DN15-DN1200

PRESSURE: Sch5-Sch160、XXS

STANDARDS: ISO、ANSI、JIS、DIN、GB/T12459、GB/T13401、ASME B16.9、SH3408 SH3409、HG/T21635、

HG/T21631、SY/T05010

USE: Petroleum, chemical, power, gas, metallurgy, shipbuilding, construction, etc.

PRODUCT DRAWING

PRODUCT CONSTRUCTION

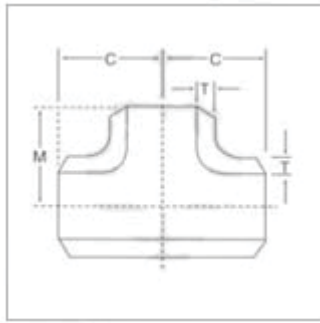
Nominal pipe size		Outside Diameter at Bevel		Center to End			Center to Center		Back to Faces		
				45° Elbows	90° Elbows		180° Return				
					H	F		P		K	
DN	INCH	Series A	Series B	LR	LR	SR	LR	SR	LR	SR	
15	1/2	21.3	18	16	38	-	76	-	48	-	
20	3/4	26.9	25	16	38	-	76	-	51	-	
25	1	33.7	32	16	38	25	76	51	56	41	
32	1 1/4	42.4	38	20	48	32	95	64	70	52	
40	1 1/2	48.3	45	24	57	38	114	76	83	62	
50	2	60.3	57	32	76	51	152	102	106	81	
65	2 1/2	76.1(73)	76	40	95	64	191	127	132	100	
80	3	88.9	89	47	114	76	229	152	159	121	
90	3 1/2	101.6	-	55	133	89	267	178	184	140	
100	4	114.3	108	63	152	102	305	203	210	159	
125	5	139.7	133	79	190	127	381	254	262	197	
150	6	168.3	159	95	229	152	457	305	313	237	
200	8	219.1	219	126	305	203	610	406	414	313	
250	10	273.0	273	158	381	254	762	508	518	391	
300	12	323.9	325	189	457	305	914	610	619	467	
350	14	355.6	377	221	533	356	1067	711	711	533	
400	16	406.4	426	253	610	406	1219	813	813	610	
450	18	457.2	478	284	686	457	1372	914	914	686	
500	20	508.0	529	316	762	508	1524	1016	1016	762	
550	22	559	-	347	838	559	NOTE: 1)、 Do not use the figures in the parenthesis as far as possible. 2)、 please first select A series 。				
600	24	610	630	379	914	610					
650	26	660	-	410	991	660					
700	28	711	720	442	1067	711					
750	30	762	-	473	1143	762					
800	32	813	820	505	1219	813					
850	34	864	-	537	1295	864					
900	36	914	920	568	1372	914					

950	38	965	-	600	1448	965
1000	40	1016	1020	631	1524	1016
1050	42	1067	-	663	1600	1067
1100	44	1118	1120	694	1676	1118
1150	46	1168	-	726	1753	1168
1200	48	1220	1220	758	1829	1219

PPGGL

NAME: **STRAIGHT TEE**

MATERIAL:



A234-WPB.A420-WPL6.A234-WP12.A234-WP11.A234-WP5.A403-WP304.A403-WP304L.A403-WP316.A403-WP316L.

SIZE: 1/2"-48", DN15-DN1200

PRESSURE: Sch5-Sch160, XXS

STANDARDS: ISO, ANSI, JIS, DIN GB/T12459, GB/T13401, ASME B16.9, SH3408 SH3409, HG/T21635, HG/T21631,

SY/T0501

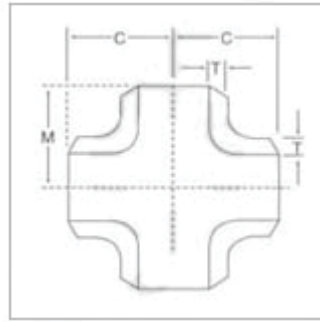
USE: Petroleum, chemical, power, gas, metallurgy, shipbuilding, construction, etc.

PRODUCT DRAWING

PRODUCT CONSTRUCTION

NAME: **STRAIGHT CROSS**

MATERIAL:



A234-WPB.A420-WPL6.A234-WP12.A234-WP11.A234-WP5.A403-WP304.A403-WP304L.A403-WP316.A403-WP316L.

SIZE: 1/2"-48"、DN15-DN1200

PRESSURE: Sch5-Sch160、XXS

STANDARDS: ISO、ANSI、JIS、DIN GB/T12459、GB/T13401、ASME B16.9、SH3408 SH3409、HG/T21635、HG/T21631、

SY/T0501

USE: Petroleum, chemical, power, gas, metallurgy, shipbuilding, construction, etc.

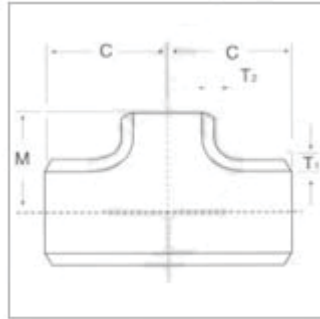
PRODUCT DRAWING

PRODUCT CONSTRUCTION

Nominal pipe size		Outside Diameter at Bevel		Center to End	
		D		C	M
DN	INCH	A 系列 Series A	B 系列 Series B		
15	1/2	21.3	18	25	
20	3/4	26.9	25	29	
25	1	33.7	32	38	
32	1 ¹ / ₄	42.4	38	48	
40	1 ¹ / ₂	48.3	45	57	
50	2	60.3	57	64	
65	2 ¹ / ₂	76.1(73)	76	76	
80	3	88.9	89	86	
90	3 ¹ / ₂	101.6	—	95	
100	4	114.3	108	105	
125	5	139.7	133	124	
150	6	168.3	159	143	
200	8	219.1	219	178	
250	10	273.0	273	216	
300	12	323.9	325	254	
350	14	355.6	377	279	
400	16	406.4	426	305	
450	18	457.2	478	343	
500	20	508.0	529	381	
550	22	559	—	419	
600	24	610	630	432	
650	26	660	—	495	
700	28	711	720	521	
750	30	762	—	559	
800	32	813	820	597	
850	34	864	—	635	
900	36	914	920	673	
950	38	965	—	711	
1000	40	1016	1020	749	
1050	42	1067	—	762	711
1100	44	1118	1120	813	762
1150	46	1168	—	851	800
1200	48	1220	1220	889	838

NAME: **REDUCING TEE**

MATERIAL:



A234-WPB.A420-WPL6.A234-WP12.A234-WP11.A234-WP5.A403-WP304.A403-WP304L.A403-WP316.A403-WP316L.

SIZE: 1/2"-48"、DN15-DN1200

PRESSURE: Sch5-Sch160、XXS

STANDARDS: ISO、ANSI、JIS、DIN GB/T12459、GB/T13401、ASME B16.9、SH3408 SH3409、HG/T21635、HG/T21631、

SY/T0501

USE: Petroleum, chemical, power, gas, metallurgy, shipbuilding, construction, etc.

PRODUCT DRAWING

PRODUCT CONSTRUCTION

NAME: **REDUCING CROSS**

MATERIAL:

A234-WPB.A420-WPL6.A234-WP12.A234-WP11.A234-WP5.A403-WP304.A403-WP304L.A403-WP316.A403-WP316L.

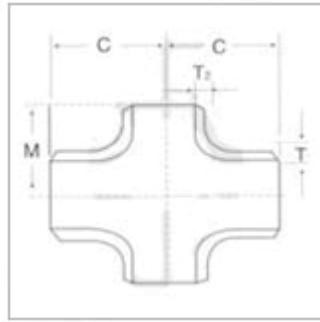
SIZE: 1/2"-48"、DN15-DN1200

PRESSURE: Sch5-Sch160、XXS

STANDARDS: ISO、ANSI、JIS、DIN GB/T12459、GB/T13401、ASME B16.9、SH3408 SH3409、HG/T21635、HG/T21631、

SY/T0501

USE: Petroleum, chemical, power, gas, metallurgy, shipbuilding, construction, etc.



PRODUCT DRAWING

PRODUCT CONSTRUCTION

PPGGL

Nominal pipe size DN	Outside Diameter at Bevel				Center to End	
	D1		D2		C	M
	Series A	Series B	Series A	Series B		
20×15	26.9	25	21.3	18	29	29
25×20	33.7	32	26.9	25	38	38
25×15	33.7	32	21.3	18	38	38
32×25	42.4	38	33.7	32	48	48
32×20	42.4	38	26.9	25	48	48
32×15	42.4	38	21.3	18	48	48
40×32	48.3	45	42.4	38	57	57
40×25	48.3	45	33.7	32	57	57
40×20	48.3	45	26.7	25	57	57
40×15	48.3	45	21.3	18	57	57
50×40	60.3	57	48.3	45	64	60
50×32	60.3	57	42.4	38	64	57
50×25	60.3	57	33.7	32	64	51
50×20	60.3	57	26.9	25	64	44
65×50	76.1(73)	76	60.3	57	76	70
65×40	76.1(73)	76	48.3	45	76	67
65×32	76.1(73)	76	42.4	38	76	64
65×25	76.1(73)	76	33.7	32	76	57
80×65	88.9	89	76.1(73)	76	86	83
80×50	88.9	89	60.3	57	86	76
80×40	88.9	89	48.3	45	86	73
80×32	88.9	89	42.4	38	86	70
90×80	101.6	-	88.9	-	95	92
90×65	101.6	-	76.1(73)	-	95	89
90×50	101.6	-	60.3	-	95	83
90×40	101.6	-	48.3	-	95	79
100×90	114.3	-	101.6	-	105	102
100×80	114.3	108	88.9	89	105	98
100×65	114.3	108	76.1(73)	76	105	95
100×50	114.3	108	60.3	57	105	89
100×40	114.3	108	48.3	45	105	86
125×100		133	114.3	108	124	117
125×90	139.7	-	101.6	-	124	114
125×80	139.7	133	88.9	89	124	111
125×65	139.7	133	76.1(73)	76	124	108
125×50	139.7	133	60.3	57	124	105
150×125	168.3	159	139.7	133	143	137

150×100	168.3	159	114.3	108	143	130
150×90	168.3	-	101.6	-	143	127
150×80	168.3	159	88.9	89	143	124
150×65	168.3	159	76.1(73)	76	143	121
200×150	219.1	219	168.3	159	178	168
200×125	219.1	219	139.7	133	178	162
200×100	219.1	219	114.3	108	178	156
200×90	219.1	-	101.6	-	178	152
200×200	273.0	273	219.1	219	216	208
200×150	273.0	273	168.3	159	216	194
200×125	273.0	273	139.7	133	216	191
200×100	273.0	273	114.3	108	216	184
300×250	323.9	325	273.0	273	254	241
300×200	323.9	325	219.1	219	254	229
300×150	323.9	325	168.3	159	254	219
300×125	323.9	325	139.7	133	254	216
350×300	355.6	377	323.9	325	279	270
350×250	355.6	377	273.0	273	279	257
350×200	355.6	377	219.1	219	279	248
350×150	355.6	377	168.3	159	279	238
400×350	406.4	426	355.6	377	305	305
400×300	406.4	426	323.9	325	305	295
400×250	406.4	426	273.0	273	305	283
400×200	406.4	426	219.1	219	305	273
400×150	406.4	426	168.3	159	305	264
450×400	457.2	478	406.4	426	343	330
450×350	457.2	478	355.6	377	343	330
450×300	457.2	478	323.9	325	343	321
450×250	457.2	478	273.0	273	343	308
450×200	457.2	478	219.1	219	343	298
500×450	508.0	529	457.2	478	381	368
500×100	508.0	529	406.4	426	381	356
500×350	508.0	529	355.6	377	381	356
500×300	508.0	529	323.9	325	381	346
500×250	508.0	529	273.0	273	381	333
500×200	508.0	529	219.1	219	381	324
550×500	559	-	508	-	419	406
550×450	559	-	457	-	419	394
550×400	559	-	406	-	419	381
600×550	610	-	559	-	432	432
600×500	610	630	508	530	432	432
600×450	610	630	457	480	432	419

650×600	660	-	610	-	495	483
650×550	660	-	559	-	495	470
650×500	660	-	508	-	495	457
700×650	711	-	660	-	521	521
700×600	711	720	610	630	521	508
700×550	711	-	559	-	521	495
750×700	762	-	711	-	559	546
750×650	762	-	660	-	559	546
750×600	762	-	610	-	559	533
800×750	813	-	762	-	597	584
800×700	813	820	711	720	597	572
800×650	813	-	660	-	597	572
850×800	864	-	813	-	635	622
850×750	864	-	762	-	635	610
850×700	864	-	711	-	635	597
900×850	914	-	864	-	673	660
900×800	914	920	813	820	673	648
900×750	914	-	762	-	673	635
950×900	965	-	914	-	711	711
950×850	965	-	864	-	711	698
950×800	965	-	813	-	711	686
1000×950	1016	-	965	-	749	749
1000×900	1016	1020	914	920	749	737
1000×8500	1016	-	864	-	749	724
1000×1000	1067	-	1016	-	762	711
1050×950	1067	-	965	-	762	711
1050×900	1067	-	914	-	762	711
1100×1050	1118	-	1067	-	813	762
1100×1000	1118	1120	1016	1020	813	749
1100×950	1118	-	965	-	813	737
1150×1100	1168	-	1118	-	851	800
1150×1050	1168	-	1067	-	851	787
1150×1000	1168	-	1016	-	851	775
1200×1150	1220	-	1168	-	889	838
1200×1100	1220	1220	1118	1120	889	838
1200×1050	1220	-	1067	-	889	813

NAME: **CONCENTRIC REDUCER**

MATERIAL:

A234-WPB.A420-WPL6.A234-WP12.A234-WP11.A234-WP5.A403-WP304.A403-WP304L.A403-WP316.A403-WP316L.

SIZE: 1/2"-48", DN15-DN1200

PRESSURE: Sch5-Sch160, XXS

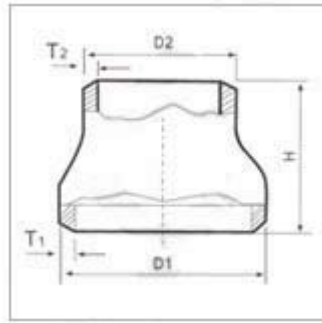
STANDARDS: ISO, ANSI, JIS, DIN GB/T 12459, GB/T 13401, ASME B16.9, SH3408 SH3409, HG/T21635, HG/T21631,

SY/T05010

USE: Petroleum, chemical, power, gas, metallurgy, shipbuilding, construction, etc.



PRODUCT DRAWING



PRODUCT CONSTRUCTION

NAME: **ECCENTRIC REDUCER**

MATERIAL:

A234-WPB.A420-WPL6.A234-WP12.A234-WP11.A234-WP5.A403-WP304.A403-WP304L.A403-WP316.A403-WP316L.

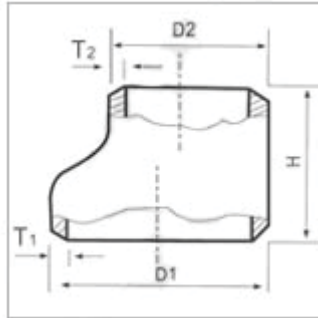
SIZE: 1/2"-48"、DN15-DN1200

PRESSURE: Sch5-Sch160、XXS

STANDARDS: ISO, ANSI, JIS, DIN GB/T12459、GB/T13401、ASME B16.9、SH3408 SH3409、HG/T21635、HG/T21631、

SY/T05010

USE: Petroleum, chemical, power, gas, metallurgy, shipbuilding, construction, etc.



PRODUCT DRAWING

PRODUCT CONSTRUCTION

Nominal pipe size DN	Outside Diameter at Bevel				Center to End
	D1		D2		End to End L
	Series A	Series B	Series A	Series B	
20×15	26.9	25	21.3	18	38
25×20	33.7	32	26.9	25	51
25×15	33.7	32	21.3	18	51
32×25	42.4	38	33.7	32	51
32×20	42.4	38	26.9	25	51
32×15	42.4	38	21.3	18	51
40×32	48.3	45	42.4	38	64
40×25	48.3	45	33.7	32	64
40×20	48.3	45	26.7	25	64
40×15	48.3	45	21.3	18	64
50×40	60.3	57	48.3	45	76
50×32	60.3	57	42.4	38	76
50×25	60.3	57	33.7	32	76
50×20	60.3	57	26.9	25	76
65×50	76.1(73)	76	60.3	57	89
65×40	76.1(73)	76	48.3	45	89
65×32	76.1(73)	76	42.4	38	89
65×25	76.1(73)	76	33.7	32	89
80×65	88.9	89	76.1(73)	76	89
80×50	88.9	89	60.3	57	89
80×40	88.9	89	48.3	45	89
80×32	88.9	89	42.4	38	89
90×80	101.6	-	88.9	-	102
90×65	101.6	-	76.1(73)	-	102
90×50	101.6	-	60.3	-	102
90×40	101.6	-	48.3	-	102
90×32	101.6	-	42.4	-	102
100×90	114.3	108	101.6	-	102
100×80	114.3	108	88.9	89	102
100×65	114.3	108	76.1(73)	76	102
100×50	114.3	108	60.3	57	102
100×40	114.3	108	48.3	45	102
125×100	139.7	133	114.3	108	127
125×90	139.7	-	101.6	-	127
125×80	139.7	133	88.9	89	127
125×65	139.7	133	76.1(73)	76	127
125×50	139.7	133	60.3	57	127

150×125	168.3	159	139.7	133	140
150×100	168.3	159	114.3	108	140
150×90	168.3	-	101.6	-	140
150×80	168.3	159	88.9	89	140
150×65	168.3	159	76.1(73)	76	140
200×150	219.1	219	163.8	159	152
200×125	219.1	219	139.7	133	152
200×100	219.1	219	114.3	108	152
200×90	219.1	-	101.6	-	152
250×200	273.0	273	219.1	219	178
250×150	273.0	273	168.3	159	178
250×125	273.0	273	139.7	133	178
250×100	273.0	273	114.3	108	178
300×250	323.9	325	273.0	273	203
300×200	323.9	325	219.1	219	203
300×150	323.9	325	168.3	159	203
300×125	323.9	325	139.7	133	203
350×300	355.6	377	323.9	325	330
350×250	355.6	377	273.0	273	330
350×200	355.6	377	219.1	219	330
350×150	355.6	377	168.3	159	330
400×350	406.4	426	355.6	377	356
400×300	406.4	426	323.9	325	356
400×250	406.4	426	273.0	273	356
400×200	406.4	426	219.1	219	356
450×400	457.2	478	406.4	426	381
450×350	457.2	478	355.6	377	381
450×300	457.2	478	323.9	325	381
450×250	457.2	478	273.0	273	381
500×450	508.0	529	457.2	478	508
500×400	508.0	529	406.4	426	508
500×350	508.0	529	355.6	377	508
500×300	508.0	529	323.9	325	508
550×500	559	-	508	-	508
550×450	559	-	457	-	508
550×400	559	-	406	-	508
550×350	559	-	356	-	508
600×550	610	-	559	-	508
600×500	610	630	508	530	508
600×450	610	630	457	480	508
600×400	610	630	406	426	508
650×600	660	-	610	-	610
650×550	660	-	559	630	610

650×500	660	-	508	-	610
650×450	660	-	457	630	610
700×650	711	-	660	-	610
700×600	711	720	310	720	610
700×550	711	-	559	-	610
700×500	711	720	508	630	610
750×700	762	-	711	-	610
750×650	762	-	660	-	610
750×600	762	-	610	-	610
750×550	762	-	559	-	610
800×750	813	-	762	-	610
800×700	813	820	711	720	610
800×650	813	-	660	-	610
800×600	813	820	610	630	610
850×800	864	-	813	-	610
850×750	864	-	762	-	610
850×700	864	-	711	-	610
850×650	864	-	660	-	610
900×850	914	-	864	-	610
900×800	914	920	813	820	610
900×750	914	-	762	-	610
900×700	914	920	711	820	610
950×900	965	-	914	-	610
950×850	965	-	864	-	610
950×800	965	-	813	-	610
950×750	965	-	762	-	610
1000×950	1016	-	965	-	610
1000×900	1016	1020	914	920	610
1000×850	1016	-	864	-	610
1000×800	1016	1020	813	920	610
1050×1000	1067	-	1016	-	610
1050×950	1067	-	965	-	610
1050×900	1067	-	914	-	610
1050×850	1067	-	864	-	610
1100×1050	1118	-	1067	-	610
1100×1000	1118	1120	1016	1020	610
1100×950	1118	-	965	-	610
1100×900	1118	1120	914	1020	610
1150×1100	1168	-	1118	-	711
1150×1050	1168	-	1067	-	711
1150×1000	1168	-	1016	-	711
1150×950	1168	-	965	-	711

1200×1150	1220	-	1168	-	711
1200×1100	1220	1220	1118	1120	711
1200×1050	1220	-	1067	-	711
1200×1000	1220	1220	1016	1120	711

PPGGL

FORGED SOCKET PIPE FITTINGS SERIES:



45° ELBOW



90° ELBOW



TEE



LATERAL



CROSS



UNION



CAP



HALF-COUPLING



COUPLING

FORGED THREADED PIPE FITTINGS SERIES:



45° ELBPW



90° ELBOW



TEE



CROSS



UNION



COUPLING



CAP



SQUARE PLUG



HEX HEAD PLUG



ROUND HEAD PLUG



HEX HEAD BUSHING



HEX HEAD INSIDE
BUSHING



HALF-NIPPLE



NIPPLE



HEX HEAD TWO-ENDS
THREAD BUSHING



ECCENTRIC HEX
HEAD TWO-ENDS
THREAD BUSHING



REDUCING UNION

FORGED OLET SERIES:



45° LATERAL OLET



ELBOW OLET



OLET



FORGED UNION OLET



CONCENTRIC
REDUCING NIPPLE



ECCENTRIC REDUCING
NIPPLE

NAME: 45°SOCKET ELBOW

MATERIAL:

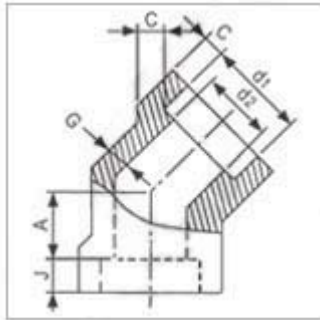
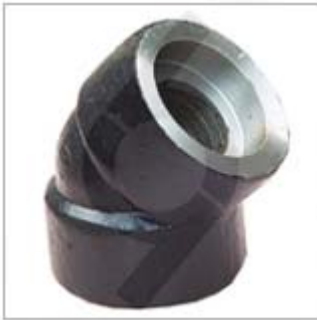
A234-WPB.A420-WPL6.A234-WP12.A234-WP11.A234-WP5.A403-WP304.A403-WP304L.A403-WP316.A403-WP316L.

SIZE: 1/8"-4", DN6-DN100

PRESSURE GRADE: 3000LB、6000LB、9000LB、Sch80、Sch160、XXS

STANDARDS: ISO, ANSI, JIS, DIN GB/T12459, GB/T13401, ASME B16.9, SH3408 SH3409, HG/T21635, HG/T21631, SY/T05010.

USE: Petroleum, chemical, power, gas, metallurgy, shipbuilding, etc.

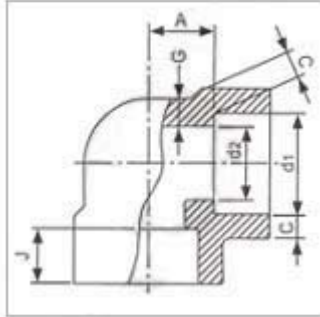


45°SOCKET ELBOW

PRODUCT CONSTRUCTION

NAME: 90°SOCKET ELBOW

MATERIAL:



A234-WPB.A420-WPL6.A234-WP12.A234-WP11.A234-WP5.A403-WP304.A403-WP304L.A403-WP316.A403-WP316L.

SIZE: 1/8"-4", DN6-DN100

PRESSURE GRADE: 3000LB、6000LB、9000LB、Sch80、Sch160、XXS

STANDARDS: ISO, ANSI, JIS, DIN GB/T12459, GB/T13401, ASME B16.9, SH3408 SH3409, HG/T21635, HG/T21631、

SY/T05010

USE: Petroleum, chemical, power, gas, metallurgy, shipbuilding, etc.

90°SOCKET ELBOW

PRODUCT CONSTRUCTION



Nominal Pipe Size		Depth of Socket	Dimension of Socket	Wall Thickness			Center to Bottom of Socket					
							A					
				Cmin			90°Elbows			45°Elbows		
DN	NPS	Jmin	d ₁	3000LB Sch80	6000LB Sch160	9000LB XXS	3000LB Sch80	6000LB Sch160	9000LB XXS	3000LB Sch80	6000LB Sch160	9000LB XXS
6	1/8	10	10.7	3.2	3.5	-	11	11	-	8	8	-
8	1/4	10	14.1	3.3	4.0	-	11	15	-	8	8	-
10	3/8	10	17.5	3.5	4.4	-	13	15	-	8	12	-
15	1/2	10	21.8	4.1	5.2	8.2	16	19	25	11	13	16
20	3/4	13	27.4	4.3	6.1	8.6	19	22	28	13	14	18
25	1	13	34.2	5.0	7.0	10.0	22	27	32	14	18	22
32	1 1/4	13	42.9	5.3	7.0	10.6	27	32	35	18	21	22
40	1 1/2	13	48.3	5.6	7.8	11.2	32	38	38	21	25	25
50	2	13	61.1	6.1	9.5	12.2	38	41	41	25	29	29
65	2 1/2	16	76.9(73.8)	7.7	12.5	-	41	57	-	29	32	-
80	3	16	89.8	8.3	13.8	-	57	64	-	32	35	-
100	4	19	115.5	9.4	-	-	66	-	-	42	-	-

1、WHAT ARE GIVEN IN THIS TABLE LIST ARE THE SAME PART SIZE OF VARIOUS SOCKET PIPE FITTINGS FOR CORRESPONDING STANDARDS.



2、 3000、 6000、 9000 ARE PRESSURE GRADE CODE, LB/in. IS THE UNIT. sch80、 sch160、 XXS ARE WALL THICKNESS CODE.

3、 45°ELBOW AND 90°ELBOW ARE REDUCING, FLOW APERTURE DIMENSION d_2 SMALLER THAN THE CORRESPONDING NOMINAL PIPE d_2 .

4、 WALL THICKNESS C_{min} IS THE MINIMUM OF ANY POINT。

5、 THE REDUCING PIPE FITTINGS: THE LENGTH A BETWEEN THE CENTER OF NARROW END AND THE BOTTOM OF DIMENSION OF SOCKET EQUALS TO THE OPENER

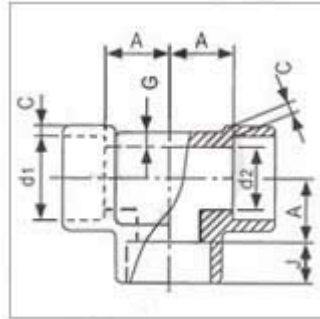
END A.

6、 ACCORDING TO THE CLIENTS' REQUIREMENT, THE SOCKET PIPE FITTINGS ALSO CAN BE MADE WITH THREAD

PPGGL

NAME: **SOCKET TEE**

MATERIAL:



A234-WPB.A420-WPL6.A234-WP12.A234-WP11.A234-WP5.A403-WP304.A403-WP304L.A403-WP316.A403-WP316L.

SIZE: 1/8"-4"、DN6-DN100

PRESSURE GRADE: 3000LB、6000LB、9000LB、Sch80、Sch160、XXS

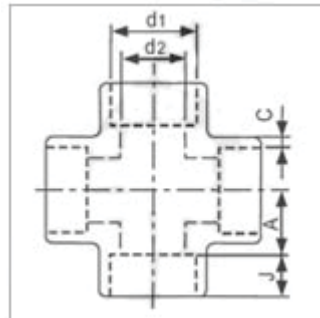
STANDARDS: ISO、ANSI、JIS、DIN GB/T12459、GB/T13401、ASME B16.9、SH3408 SH3409、HG/T21635、HG/T21631、

SY/T05010

USE: Petroleum, chemical, power, gas, metallurgy, shipbuilding, etc.

SOCKET TEE

PRODUCT CONSTRUCTION



NAME: **SOCKET CROSS**

材质: 20、A105、304、304L、316、316L、CrMo 等

规格: 1/8"-4"、DN6-DN100

PRESSURE: 3000LB、6000LB、9000LB、Sch80、Sch160、XXS



STANDARDS: ISO, ANSI, JIS, DIN GB/T12459, GB/T13401, ASME B16.9, SH3408 SH3409, HG/T21635, HG/T21631,

SY/T05010

USE: Petroleum, chemical, power, gas, metallurgy, shipbuilding, etc.

SOCKET CROSS

PRODUCT CONSTRUCTION

PPGL

Nominal Pipe Size		Depth of Socket	Dimension of Socket	Wall Thickness			Center to Bottom of Socket					
							A					
				Cmin			Tees			Crosses		
DN	NPS	Jmin	d ₁	3000LB Sch80	6000LB Sch160	9000LB XXS	3000LB Sch80	6000LB Sch160	9000LB XXS	3000LB Sch80	6000LB Sch160	9000LB XXS
6	1/8	10	10.7	3.2	3.5	-	11	11	-	11	11	-
8	1/4	10	14.1	3.3	4.0	-	11	15	-	11	15	-
10	3/8	10	17.5	3.5	4.4	-	13	15	-	13	15	-
15	1/2	10	21.8	4.1	5.2	8.2	16	19	25	16	19	25
20	3/4	13	27.4	4.3	6.1	8.6	19	22	28	19	22	28
25	1	13	34.2	5.0	7.0	10.0	22	27	32	22	27	32
32	1 ¹ / ₄	13	42.9	5.3	7.0	10.6	27	32	35	27	32	35
40	1 ¹ / ₂	13	48.3	5.6	7.8	11.2	32	38	38	32	38	38
50	2	13	61.1	6.1	9.5	12.2	38	41	41	38	41	41
65	2 ¹ / ₂	16	76.9(73.8)	7.7	12.5	-	41	57	-	41	57	-
80	3	16	89.8	8.3	13.8	-	57	64	-	57	64	-
100	4	19	115.5	9.4	-	-	66	-	-	66	-	-

1、 WHAT ARE GIVEN IN THIS TABLE LIST ARE THE SAME PART SIZE OF VARIOUS SOCKET PIPE FITTINGS FOR CORRESPONDING STANDARDS.

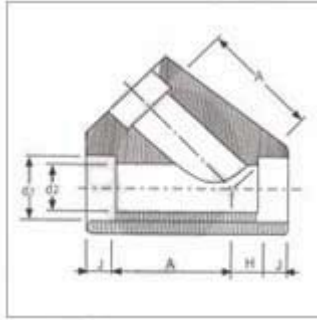


- 2、 3000、 6000、 9000 ARE PRESSURE GRADE CODE, LB/in. IS THE UNIT. sch80、 sch160、 XXS ARE WALL THICKNESS CODE.
- 3、 45°ELBOW AND 90°ELBOW ARE REDUCING, FLOW APERTURE DIMENSION d_2 SMALLER THAN THE CORRESPONDING NOMINAL PIPE d_2 .
- 4、 WALL THICKNESS C_{min} IS THE MINIMUM OF ANY POINT.
- 5、 THE REDUCING PIPE FITTINGS: THE LENGTH A BETWEEN THE CENTER OF NARROW END AND THE BOTTOM OF DIMENSION OF SOCKET EQUALS TO THE OPENER END A.
- 6、 ACCORDING TO THE CLIENTS' REQUIREMENT, THE SOCKET PIPE FITTINGS ALSO CAN BE MADE WITH THREAD

PPGGL

NAME: **LATERAL**

MATERIAL:



A234-WPB.A420-WPL6.A234-WP12.A234-WP11.A234-WP5.A403-WP304.A403-WP304L.A403-WP316.A403-WP316L.

SIZE: 1/8"-4", DN6-DN100

PRESSURE GRADE: 3000LB、6000LB、9000LB、Sch80、Sch160、XXS

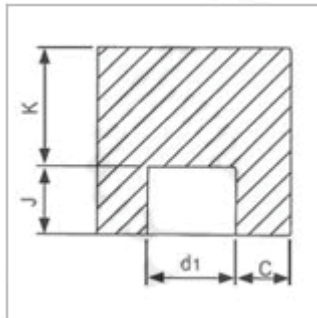
STANDARDS: ISO, ANSI, JIS, DIN GB/T12459, GB/T13401, ASME B16.9, SH3408 SH3409, HG/T21635, HG/T21631、

SY/T05010

USE: Petroleum, chemical, power, gas, metallurgy, shipbuilding, etc.

LATERAL

PRODUCT CONSTRUCTION



NAME: **FORGED CAP**

MATERIAL:

A234-WPB.A420-WPL6.A234-WP12.A234-WP11.A234-WP5.A403-WP304.A403-WP304L.A403-WP316.A403-WP316L.

SIZE: 1/8"-4", DN6-DN100



PRESSURE GRADE: 3000LB、6000LB、9000LB、Sch80、Sch160、XXS

STANDARDS: ISO, ANSI, JIS, DIN GB/T12459、GB/T13401、ASME B16.9、SH3408 SH3409、HG/T21635、HG/T21631、

SY/T05010

USE: Petroleum, chemical, power, gas, metallurgy, shipbuilding, etc.

FORGED CAP

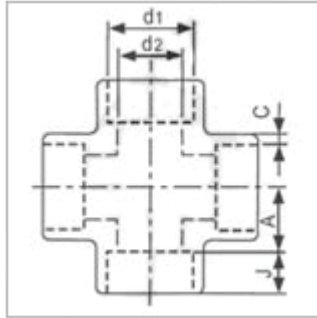
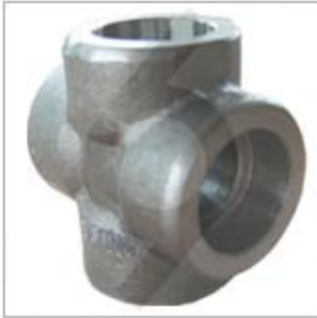
PRODUCT CONSTRUCTION

PPGGL

Nominal Pipe Size		Depth of Socket	Dimension of Socket	Wall Thickness			End Wall Thickness		
				Cmin			Kmin		
DN	NPS	Jmin	d ₁	3000LB Sch80	6000LB Sch160	9000LB XXS	3000LB Sch80	6000LB Sch160	9000LB XXS
6	1/8	10	10.7	3.2	3.5	-	5.0	6.5	-
8	1/4	10	14.1	3.3	4.0	-	5.0	6.5	-
10	3/8	10	17.5	3.5	4.4	-	5.0	6.5	-
15	1/2	10	21.8	4.1	5.2	8.2	6.5	8.0	11
20	3/4	13	27.4	4.3	6.1	8.6	6.5	8.0	12.5
25	1	13	34.2	5.0	7.0	10.0	9.5	11	14
32	1 ¹ / ₄	13	42.9	5.3	7.0	10.6	9.5	11	14
40	1 ¹ / ₂	13	48.3	5.6	7.8	11.2	11	12.5	16
50	2	13	61.1	6.1	9.5	12.2	12	16	19
65	2 ¹ / ₂	16	76.9(73.8)	7.7	12.5	-	16	19	-
80	3	16	89.8	8.3	13.8	-	19	22	-
100	4	19	115.5	9.4	-	-	22	28.5	-

NAME: **SOCKET CROSS**

MATERIAL:



A234-WPB.A420-WPL6.A234-WP12.A234-WP11.A234-WP5.A403-WP304.A403-WP304L.A403-WP316.A403-WP316L.

SIZE: 1/8"-4"、DN6-DN100

PRESSURE GRADE: 3000LB、6000LB、9000LB、Sch80、Sch160、XXS

STANDARDS: ISO, ANSI, JIS, DIN GB/T12459、GB/T13401、ASME B16.9、SH3408 SH3409、HG/T21635、HG/T21631、

SY/T05010

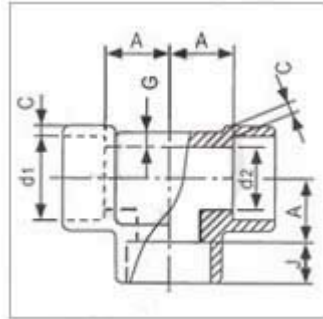
USE: Petroleum, chemical, power, gas, metallurgy, shipbuilding, etc.

SOCKET CROSS

PRODUCT CONSTRUCTION

NAME: **SOCKET TEE**

MATERIAL:



A234-WPB.A420-WPL6.A234-WP12.A234-WP11.A234-WP5.A403-WP304.A403-WP304L.A403-WP316.A403-WP316L.

SIZE: 1/8"-4", DN6-DN100

PRESSURE GRADE: 3000LB、6000LB、9000LB、Sch80、Sch160、XXS

STANDARDS: ISO, ANSI, JIS, DIN GB/T12459, GB/T13401, ASME B16.9, SH3408 SH3409, HG/T21635, HG/T21631、

SY/T05010

USE: Petroleum, chemical, power, gas, metallurgy, shipbuilding, etc.

SOCKET TEE

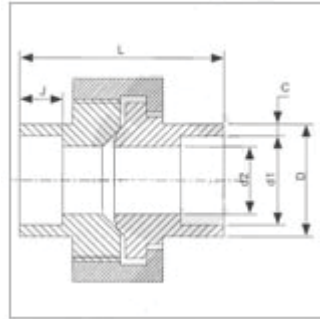
PRODUCT CONSTRUCTION



Nominal Pipe Size		Depth of Socket	Dimension of Socket	Wall Thickness			Center to Bottom of Socket					
							A					
				Cmin			Tees			Crosses		
DN	NPS	Jmin	d ₁	3000LB Sch80	6000LB Sch160	9000LB XXS	3000LB Sch80	6000LB Sch160	9000LB XXS	3000LB Sch80	6000LB Sch160	9000LB XXS
6	1/8	10	10.7	3.2	3.5	-	11	11	-	11	11	-
8	1/4	10	14.1	3.3	4.0	-	11	15	-	11	15	-
10	3/8	10	17.5	3.5	4.4	-	13	15	-	13	15	-
15	1/2	10	21.8	4.1	5.2	8.2	16	19	25	16	19	25
20	3/4	13	27.4	4.3	6.1	8.6	19	22	28	19	22	28
25	1	13	34.2	5.0	7.0	10.0	22	27	32	22	27	32
32	1 1/4	13	42.9	5.3	7.0	10.6	27	32	35	27	32	35
40	1 1/2	13	48.3	5.6	7.8	11.2	32	38	38	32	38	38
50	2	13	61.1	6.1	9.5	12.2	38	41	41	38	41	41
65	2 1/2	16	76.9(73.8)	7.7	12.5	-	41	57	-	41	57	-
80	3	16	89.8	8.3	13.8	-	57	64	-	57	64	-
100	4	19	115.5	9.4	-	-	66	-	-	66	-	-

NAME: **SOCKET UNION**

MATERIAL:



A234-WPB.A420-WPL6.A234-WP12.A234-WP11.A234-WP5.A403-WP304.A403-WP304L.A403-WP316.A403-WP316L.

SIZE: 1/8"-3"、DN6-DN80

PRESSURE GRADE: 3000LB、Sch80

STANDARDS: ISO, ANSI, JIS, DIN GB/T12459、GB/T13401、ASME B16.9、SH3408 SH3409、HG/T21635、HG/T21631、

SY/T05010

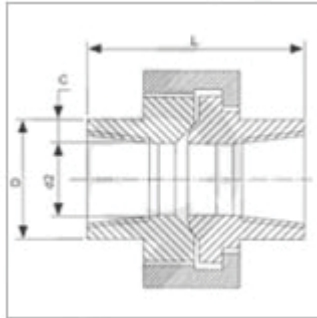
USE: Petroleum, chemical, power, gas, metallurgy, shipbuilding, etc.

SOCKET UNION

PRODUCT CONSTRUCTION

NAME: **THREADED UNION**

MATERIAL:



A234-WPB.A420-WPL6.A234-WP12.A234-WP11.A234-WP5.A403-WP304.A403-WP304L.A403-WP316.A403-WP316L.

SIZE: 1/8"-3"、DN6-DN80

PRESSURE GRADE: 3000LB、Sch80

STANDARDS: ISO、ANSI、JIS、DIN GB/T12459、GB/T13401、ASME B16.9、SH3408 SH3409、HG/T21635、HG/T21631、

SY/T05010

USE: Petroleum, chemical, power, gas, metallurgy, shipbuilding, etc.

THREADED UNION

PRODUCT CONSTRUCTION

Nominal pipe size DN		Outside Diameter		Wall		Socket Bore	Water way Bore	Depth of Socket	Length Assem Nominal	L
		Dmin		Cmin			d1	d2	min	
A	B(in)	Socket	Threaded	Socket	Threaded	Socket	Socket & Threaded	Socket	Socket & Threaded	
6	1/8	21.8	14.7	3.2	2.5	10.65	6.43	10	41.4	
8	1/4	21.8	19.0	3.3	3.1	14.10	9.45	10	41.4	
10	3/8	25.9	22.9	3.5	3.2	17.55	13.51	10	46.0	
15	1/2	31.2	27.7	4.1	3.8	21.70	17.07	10	49.0	
20	3/4	37.1	33.5	4.3	4.0	27.05	21.39	13	56.9	
25	1	45.5	41.4	5.0	4.6	33.80	27.74	13	62.0	
32	1 1/4	54.9	50.5	5.3	4.9	42.55	35.36	13	71.1	
40	1 1/2	61.5	57.2	5.6	5.1	48.65	41.20	13	76.5	
50	2	75.2	70.1	6.1	5.6	61.10	52.12	16	86.1	
65	2 1/2	91.7	85.3	7.7	7.1	73.80	64.31	16	102.4	
80	3	109.2	102.4	8.4	7.7	89.80	77.27	16	109.0	



1、 THE UNION ONLY FIT WITH 3000LB PRESSURE GRADE.

2、 THE THREADED BE MADE ACCORDING TO 60°NPT, WHICH PRESCRIBED IN GB/T 12716 (ANSI/ASME B1.20.1) .WE ALSO CAN PRODUCT ACCORDING TO 55°RC

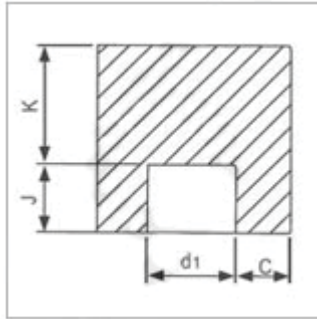
WHICH PRESCRIBE IN GB 7306.IT SHOULD BE NOTE CLEAR WHEN ORDER

3、 IF CLIENTS CHOSE THE PIPES OF OTHER DIFFERENT OUTER DIAMETER , CLIENTS MUST GIVEN THE PIPES' STANDARDS OR OUTER DIAMETER TO US..

PPGGL

NAME: **FORGED CAP**

MATERIAL:



A234-WPB.A420-WPL6.A234-WP12.A234-WP11.A234-WP5.A403-WP304.A403-WP304L.A403-WP316.A403-WP316L.

SIZE: 1/8"-4", DN6-DN100

PRESSURE GRADE: 3000LB、6000LB、9000LB、Sch80、Sch160、XXS

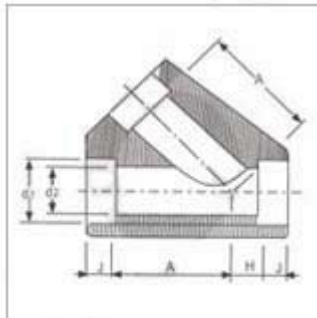
STANDARDS: ISO, ANSI, JIS, DIN GB/T12459, GB/T13401, ASME B16.9, SH3408 SH3409, HG/T21635, HG/T21631、

SY/T05010

USE: Petroleum, chemical, power, gas, metallurgy, shipbuilding, etc.

FORGED CAP

PRODUCT CONSTRUCTION



NAME: **LATERAL**

MATERIAL:

A234-WPB.A420-WPL6.A234-WP12.A234-WP11.A234-WP5.A403-WP304.A403-WP304L.A403-WP316.A403-WP316L.

SIZE: 1/8"-4", DN6-DN100



PRESSURE GRADE: 3000LB、6000LB、9000LB、Sch80、Sch160、XXS

STANDARDS: ISO, ANSI, JIS, DIN GB/T12459、GB/T13401、ASME B16.9、SH3408 SH3409、HG/T21635、HG/T21631、

SY/T05010

USE: Petroleum, chemical, power, gas, metallurgy, shipbuilding, etc.

LATERAL

PRODUCT CONSTRUCTION

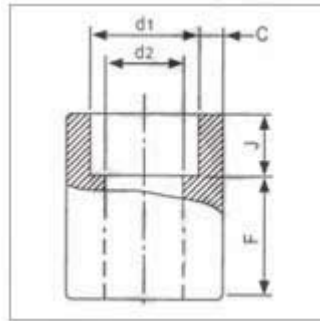
PPGL

Nominal Pipe Size		Depth of Socket	Dimension of Socket	Wall Thickness			End Wall Thickness		
				Cmin			Kmin		
DN	NPS	Jmin	d ₁	3000LB Sch80	6000LB Sch160	9000LB XXS	3000LB Sch80	6000LB Sch160	9000LB XXS
6	1/8	10	10.7	3.2	3.5	-	5.0	6.5	-
8	1/4	10	14.1	3.3	4.0	-	5.0	6.5	-
10	3/8	10	17.5	3.5	4.4	-	5.0	6.5	-
15	1/2	10	21.8	4.1	5.2	8.2	6.5	8.0	11
20	3/4	13	27.4	4.3	6.1	8.6	6.5	8.0	12.5
25	1	13	34.2	5.0	7.0	10.0	9.5	11	14
32	1 ¹ / ₄	13	42.9	5.3	7.0	10.6	9.5	11	14
40	1 ¹ / ₂	13	48.3	5.6	7.8	11.2	11	12.5	16
50	2	13	61.1	6.1	9.5	12.2	12	16	19
65	2 ¹ / ₂	16	76.9(73.8)	7.7	12.5	-	16	19	-
80	3	16	89.8	8.3	13.8	-	19	22	-
100	4	19	115.5	9.4	-	-	22	28.5	-

NAME: **HALF-COUPLING**

MATERIAL:

A234-WPB.A420-WPL6.A234-WP12.A234-WP11.A234-WP5.A403-WP304.A403-WP304L.A403-WP316.A403-WP316L



SIZE: 1/8"-4", DN6-DN100

PRESSURE GRADE: 3000LB、6000LB、9000LB、Sch80、Sch160、XXS

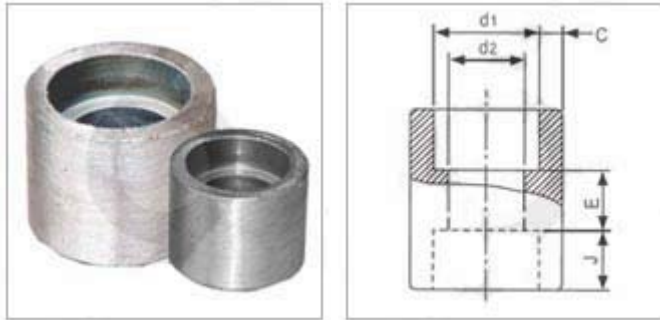
STANDARDS: ISO, ANSI, JIS, DIN, GB/T12459, GB/T13401, ASME B16.9, SH3408, SH3409, HG/T21635, HG/T21631、

SY/T05010

USE: Petroleum, chemical, power, gas, metallurgy, shipbuilding, etc.

HALF-COUPLING

PRODUCT CONSTRUCTION



COUPLING

PRODUCT CONSTRUCTION

PPGGL

NAME: **COUPLING**

MATERIAL:

A234-WPB.A420-WPL6.A234-WP12.A234-WP11.A234-WP5.A403-WP304.

SIZE: 1/8"-4"、DN6-DN100

PRESSURE GRADE: 3000LB、6000LB、9000LB、Sch80、Sch160、XXS

STANDARDS: ISO, ANSI, JIS, DIN GB/T12459、GB/T13401、ASME B16.9

SY/T05010

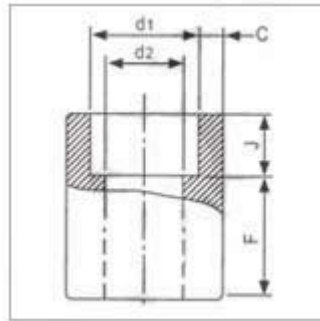
USE: Petroleum, chemical, power, gas, metallurgy, shipbuilding, etc.

Nominal Pipe Size		Depth of Socket	Dimension of Socket	Wall Thickness			Laying length	
				Cmin			Coupling	Half-coupling
DN	NPS	Jmin	d ₁	3000LB Sch80	6000LB Sch160	9000LB XXS	E	F
6	1/8	10	10.7	3.2	3.5	–	6	16
8	1/4	10	14.1	3.3	4.0	–	6	16
10	3/8	10	17.5	3.5	4.4	–	6	18
15	1/2	10	21.8	4.1	5.2	8.2	10	22
20	3/4	13	27.4	4.3	6.1	8.6	10	24
25	1	13	34.2	5.0	7.0	10.0	13	29
32	1 1/4	13	42.9	5.3	7.0	10.6	13	30
40	1 1/2	13	48.3	5.6	7.8	11.2	13	32
50	2	13	61.1	6.1	9.5	12.2	19	41
65	2 1/2	16	76.9(73.8)	7.7	12.5	–	19	43
80	3	16	89.8	8.3	13.8	–	19	45
100	4	19	115.5	9.4	-	–	19	48

NAME: **HALF-COUPLING**

MATERIAL:

A234-WPB.A420-WPL6.A234-WP12.A234-WP11.A234-WP5.A403-WP304.A403-WP304L.A403-WP316.A403-WP316L



SIZE: 1/8"-4", DN6-DN100

PRESSURE GRADE: 3000LB、6000LB、9000LB、Sch80、Sch160、XXS

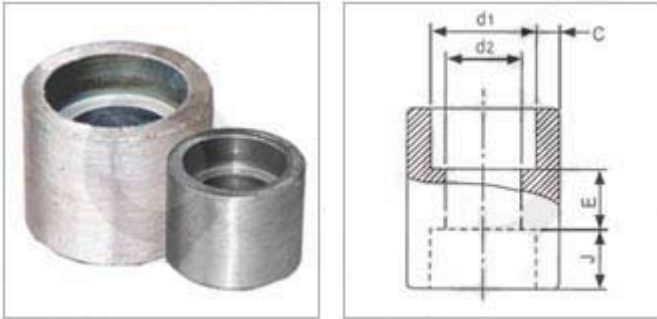
STANDARDS: ISO, ANSI, JIS, DIN, GB/T12459, GB/T13401, ASME B16.9, SH3408, SH3409, HG/T21635, HG/T21631、

SY/T05010

USE: Petroleum, chemical, power, gas, metallurgy, shipbuilding, etc.

HALF-COUPLING

PRODUCT CONSTRUCTION



COUPLING

PRODUCT CONSTRUCTION

NAME: **COUPLING**

MATERIAL:

A234-WPB.A420-WPL6.A234-WP12.A234-WP11.A234-WP5.A403-WP304.

SIZE: 1/8"-4"、DN6-DN100

PRESSURE GRADE: 3000LB、6000LB、9000LB、Sch80、Sch160、XXS

STANDARDS: ISO, ANSI, JIS, DIN GB/T12459、GB/T13401、ASME B16.9

SY/T05010

USE: Petroleum, chemical, power, gas, metallurgy, shipbuilding, etc.

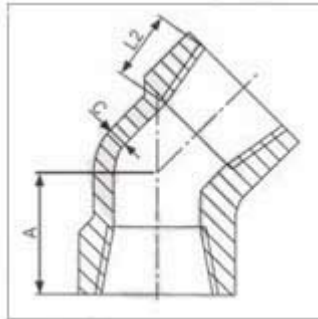
PPGL

Nominal Pipe Size		Depth of Socket	Dimension of Socket	Wall Thickness			Laying length	
				Cmin			Coupling	Half-coupling
DN	NPS	Jmin	d ₁	3000LB Sch80	6000LB Sch160	9000LB XXS	E	F
6	1/8	10	10.7	3.2	3.5	–	6	16
8	1/4	10	14.1	3.3	4.0	–	6	16
10	3/8	10	17.5	3.5	4.4	–	6	18
15	1/2	10	21.8	4.1	5.2	8.2	10	22
20	3/4	13	27.4	4.3	6.1	8.6	10	24
25	1	13	34.2	5.0	7.0	10.0	13	29
32	1 ¹ / ₄	13	42.9	5.3	7.0	10.6	13	30
40	1 ¹ / ₂	13	48.3	5.6	7.8	11.2	13	32
50	2	13	61.1	6.1	9.5	12.2	19	41
65	2 ¹ / ₂	16	76.9(73.8)	7.7	12.5	–	19	43
80	3	16	89.8	8.3	13.8	–	19	45
100	4	19	115.5	9.4	-	–	19	48

NAME: 45°THREADED ELBOW

MATERIAL:

A234-WPB.A420-WPL6.A234-WP12.A234-WP11.A234-WP5.A403-WP304.A403-WP304L.A403-WP316.A403-WP31



6L.

SIZE: 1/8"-4", DN6-DN100

PRESSURE GRADE: 2000LB, 3000LB, 6000LB, Sch40, Sch80, Sch160

STANDARDS: ISO, ANSI, JIS, DIN GB/T12459, GB/T13401, ASME B16.9, SH3408 SH3409, HG/T21635,

HG/T21631, SY/T05010

USE: Petroleum, chemical, power, gas, metallurgy, shipbuilding, etc.

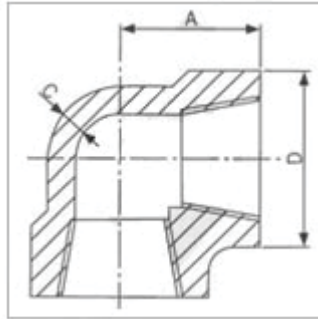
45°THREADED ELBOW

PRODUCT CONSTRUCTION

NAME: 90°THREADED ELBOW

MATERIAL:

A234-WPB.A420-WPL6.A234-WP12.A234-WP11.A234-WP5.A403-WP304.A403-WP304L.A403-WP316.A403-WP31



6L.

SIZE: 1/8"-4", DN6-DN100

PRESSURE GRADE: 2000LB、3000LB、6000LB、Sch40、Sch80、Sch160

STANDARDS: ISO, ANSI, JIS, DIN GB/T12459、GB/T13401、ASME B16.9、SH3408 SH3409、HG/T21635、

HG/T21631、SY/T05010

USE: Petroleum, chemical, power, gas, metallurgy, shipbuilding, etc.

90°THREADED ELBOW

PRODUCT CONSTRUCTION

Nominal pipe size DN		Center to End						Outside Diameter D			Wall Thickness			Length of Thread(mi n)	
		A						D			Cmin				
		90°Elbows			45°Elbows										
A	B(in)	2000LB	3000LB	6000LB	2000LB	3000LB	6000LB	2000LB	3000LB	6000LB	2000LB	3000LB	6000LB	NPT	Rc
		Sch80	Sch160	XXS	Sch80	Sch160	XXS	Sch80	Sch160	XXS	Sch80	Sch160	XXS		
6	1/8	21	21	25	17	17	19	22	22	25	3.0	3.0	6.5	6.5	6.5
8	1/4	21	25	29	17	19	22	22	25	33	3.0	3.5	6.5	8.0	10.0
10	3/8	25	29	33	19	22	25	25	33	38	3.0	3.5	7.0	9.0	10.5
15	1/2	29	33	38	22	25	29	33	38	46	3.0	4.0	8.0	11.0	13.5
20	3/4	33	38	44	25	29	33	38	46	56	3.0	4.5	8.5	12.5	14.0
25	1	38	44	51	29	33	35	46	56	62	3.5	5.0	10.0	14.5	17.5
32	1 1/4	44	51	60	33	35	43	56	62	75	4.0	5.5	10.0	17.0	18.0
40	1 1/2	51	60	64	35	43	44	62	75	84	4.0	5.5	11.0	18.0	18.5
50	2	60	64	83	43	45	52	75	84	102	4.5	7.0	12.0	19.0	19.0
65	2 1/2	76	83	95	52	52	64	92	102	121	5.5	7.5	15.5	23.5	29.0
80	3	86	96	106	64	64	79	110	121	146	6.0	9.0	16.5	26.0	30.0
100	4	106	114	114	79	79	79	146	152	152	6.5	11.0	18.5	27.5	33.0

NAME: 45°THREADED ELBOW

MATERIAL:

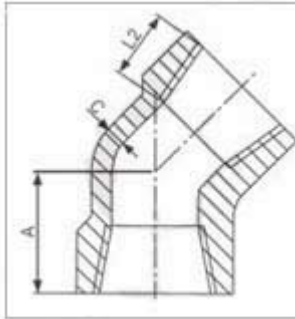
A234-WPB.A420-WPL6.A234-WP12.A234-WP11.A234-WP5.A403-WP304.A403-WP304L.A403-WP316.A403-WP316L.

SIZE: 1/8"-4", DN6-DN100

PRESSURE GRADE: 2000LB, 3000LB, 6000LB, Sch40, Sch80, Sch160

STANDARDS: ISO, ANSI, JIS, DIN, GB/T12459, GB/T13401, ASME B16.9, SH3408, SH3409, HG/T21635, HG/T21631, SY/T05010

USE: Petroleum, chemical, power, gas, metallurgy, shipbuilding, etc.



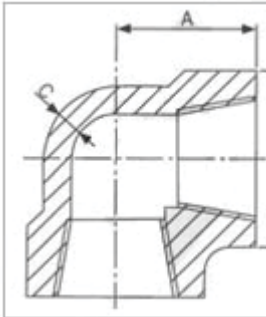
45°THREADED ELBOW

PRODUCT
CONSTRUCTION

NAME: 90°THREADED ELBOW

MATERIAL:

A234-WPB.A420-WPL6.A234-WP12.A234-WP11.A234-WP5.A403-WP304.A403-WP304L.A403-WP316.A



403-WP316L.

SIZE: 1/8"-4"、DN6-DN100

PRESSURE GRADE: 2000LB、3000LB、6000LB、Sch40、Sch80、Sch160

STANDARDS: ISO, ANSI, JIS, DIN, GB/T12459、GB/T13401、ASME B16.9、SH3408 SH3409、HG/T21635、

HG/T21631、SY/T05010

USE: Petroleum, chemical, power, gas, metallurgy, shipbuilding, etc.

90°THREADED ELBOW

PRODUCT
CONSTRUCTON

Nominal pipe size DN		Center to End						Outside Diameter D			Wall Thickness			Length of Thread(min)	
		A						D			Cmin				
		90°Elbows			45°Elbows										
A	B(in)	2000LB	3000LB	6000LB	2000LB	3000LB	6000LB	2000LB	3000LB	6000LB	2000LB	3000LB	6000LB	NPT	Rc
		Sch80	Sch160	XXS	Sch80	Sch160	XXS	Sch80	Sch160	XXS	Sch80	Sch160	XXS		
6	1/8	21	21	25	17	17	19	22	22	25	3.0	3.0	6.5	6.5	6.5
8	1/4	21	25	29	17	19	22	22	25	33	3.0	3.5	6.5	8.0	10.0
10	3/8	25	29	33	19	22	25	25	33	38	3.0	3.5	7.0	9.0	10.5
15	1/2	29	33	38	22	25	29	33	38	46	3.0	4.0	8.0	11.0	13.5
20	3/4	33	38	44	25	29	33	38	46	56	3.0	4.5	8.5	12.5	14.0
25	1	38	44	51	29	33	35	46	56	62	3.5	5.0	10.0	14.5	17.5
32	1 1/4	44	51	60	33	35	43	56	62	75	4.0	5.5	10.0	17.0	18.0
40	1 1/2	51	60	64	35	43	44	62	75	84	4.0	5.5	11.0	18.0	18.5
50	2	60	64	83	43	45	52	75	84	102	4.5	7.0	12.0	19.0	19.0
65	2 1/2	76	83	95	52	52	64	92	102	121	5.5	7.5	15.5	23.5	29.0
80	3	86	96	106	64	64	79	110	121	146	6.0	9.0	16.5	26.0	30.0
100	4	106	114	114	79	79	79	146	152	152	6.5	11.0	18.5	27.5	33.0

NAME: **FORGED THREADED TEE**

MATERIAL:

A234-WPB.A420-WPL6.A234-WP12.A234-WP11.A234-WP5.A403-WP304.A403-WP304L.A403-WP316.A403-WP316L.

SIZE: 1/8"-4", DN6-DN100

PRESSURE: 2000LB、3000LB、6000LB、Sch40、Sch80、Sch160

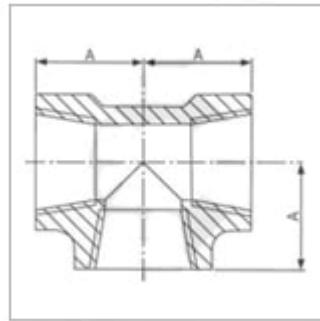
STANDARDS: ISO、ANSI、JIS、DIN GB/T12459、GB/T13401、ASME B16.9、SH3408

SH3409、HG/T21635、HG/T21631、SY/T05010

USE: Petroleum, chemical, power, gas, metallurgy, shipbuilding, etc.



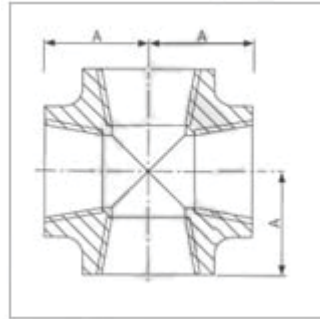
PRODUCT DRAWING



PRODUCT CONSTRUCTION

NAME: **FORGED THREADED CROSS**

MATERIAL:



A234-WPB.A420-WPL6.A234-WP12.A234-WP11.A234-WP5.A403-WP304.A403-WP304L.A403-WP316.A403-WP316L.

SIZE: 1/8"-4"、DN6-DN100

PRESSURE: 2000LB、3000LB、6000LB、Sch40、Sch80、Sch160

STANDARDS: ISO、ANSI、JIS、DIN GB/T12459、GB/T13401、ASME B16.9、SH3408

SH3409、HG/T21635、HG/T21631、SY/T05010

USE: Petroleum, chemical, power, gas, metallurgy, shipbuilding, etc.

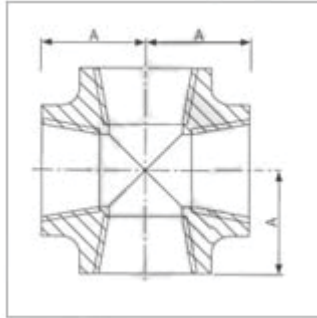
PRODUCT DRAWING

PRODUCT CONSTRUCTION

Nominal pipe size DN		Center to End					Outside Diameter D					Wall Thickness		Length of Thread(min)	
		A			D			Cmin							
		Tees, Crosses													
A	B(in)	2000LB	3000LB	6000LB	2000LB	3000LB	6000LB	2000LB	3000LB	6000LB	NPT	Rc			
		Sch80	Sch160	XXS	Sch80	Sch160	XXS	Sch80	Sch160	XXS					
6	1/8	21	21	25	22	22	25	3.0	3.0	6.5	6.5	6.5			
8	1/4	21	25	29	22	25	33	3.0	3.5	6.5	8.0	10.0			
10	3/8	25	29	33	25	33	38	3.0	3.5	7.0	9.0	10.5			
15	1/2	29	33	38	33	38	46	3.0	4.0	8.0	11.0	13.5			
20	3/4	33	38	44	38	46	56	3.0	4.5	8.5	12.5	14.0			
25	1	38	44	51	46	56	62	3.5	5.0	10.0	14.5	17.5			
32	1 1/4	44	51	60	56	62	75	4.0	5.5	10.0	17.0	18.0			
40	1 1/2	51	60	64	62	75	84	4.0	5.5	11.0	18.0	18.5			
50	2	60	64	83	75	84	102	4.5	7.0	12.0	19.0	19.0			
65	2 1/2	76	83	95	92	102	121	5.5	7.5	15.5	23.5	29.0			
80	3	86	96	106	110	121	146	6.0	9.0	16.5	26.0	30.0			
100	4	106	114	114	146	152	152	6.5	11.0	18.5	27.5	33.0			

NAME: **THREADED CROSS**

MATERIAL:



A234-WPB.A420-WPL6.A234-WP12.A234-WP11.A234-WP5.A403-WP304.A403-WP304L.A403-WP316.A403-WP316L.

SIZE: 1/8"-4", DN6-DN100

PRESSURE GRADE: 2000LB、3000LB、6000LB、Sch40、Sch80、Sch160

STANDARDS: ISO, ANSI, JIS, DIN GB/T12459, GB/T13401, ASME B16.9, SH3408 SH3409, HG/T21635, HG/T21631、

SY/T05010

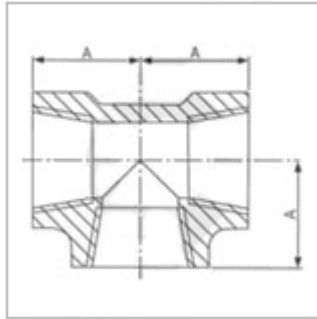
USE: Petroleum, chemical, power, gas, metallurgy, shipbuilding, etc.

THREADED CROSS

PRODUCT CONSTRUCTION

NAME: **THREADED TEE**

MATERIAL:



A234-WPB.A420-WPL6.A234-WP12.A234-WP11.A234-WP5.A403-WP304.A403-WP304L.A403-WP316.A403-WP316L.

SIZE: 1/8"-4", DN6-DN100

PRESSURE GRADE: 2000LB、3000LB、6000LB、Sch40、Sch80、Sch160

STANDARDS: ISO, ANSI, JIS, DIN GB/T12459, GB/T13401, ASME B16.9, SH3408 SH3409, HG/T21635, HG/T21631、

SY/T05010

USE: Petroleum, chemical, power, gas, metallurgy, shipbuilding, etc.

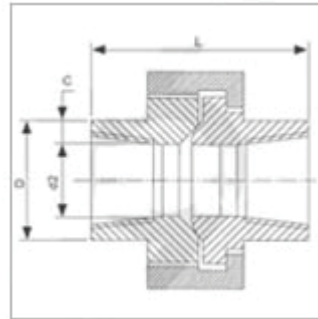
THREADED TEE

PRODUCT CONSTRUCTION

公称通径 Nominal pipe size DN		Center to End				Outside Diameter D			Wall Thickness			Length of Thread(min)	
		A			D			Cmin					
		Tees、Crosses											
A	B(in)	2000LB	3000LB	6000LB	2000LB	3000LB	6000LB	2000LB	3000LB	6000LB	NPT	Rc	
		Sch80	Sch160	XXS	Sch80	Sch160	XXS	Sch80	Sch160	XXS			
6	1/8	21	21	25	22	22	25	3.0	3.0	6.5	6.5	6.5	
8	1/4	21	25	29	22	25	33	3.0	3.5	6.5	8.0	10.0	
10	3/8	25	29	33	25	33	38	3.0	3.5	7.0	9.0	10.5	
15	1/2	29	33	38	33	38	46	3.0	4.0	8.0	11.0	13.5	
20	3/4	33	38	44	38	46	56	3.0	4.5	8.5	12.5	14.0	
25	1	38	44	51	46	56	62	3.5	5.0	10.0	14.5	17.5	
32	1 ¹ / ₄	44	51	60	56	62	75	4.0	5.5	10.0	17.0	18.0	
40	1 ¹ / ₂	51	60	64	62	75	84	4.0	5.5	11.0	18.0	18.5	
50	2	60	64	83	75	84	102	4.5	7.0	12.0	19.0	19.0	
65	2 ¹ / ₂	76	83	95	92	102	121	5.5	7.5	15.5	23.5	29.0	
80	3	86	96	106	110	121	146	6.0	9.0	16.5	26.0	30.0	
100	4	106	114	114	146	152	152	6.5	11.0	18.5	27.5	33.0	



PRODUCT DRAWING



PRODUCT CONSTRUCTION

NAME: **THREADED UNION**

MATERIAL:

A234-WPB.A420-WPL6.A234-WP12.A234-WP11.A234-WP5.A403-WP304.A403-WP304L.A403-WP316.A403-WP316L.

SIZE: 1/8"-3"、DN6-DN80

PRESSURE: 3000LB、Sch80

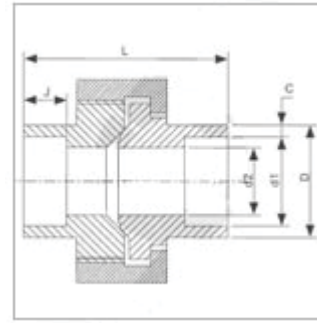
STANDARDS: ISO, ANSI, JIS, DIN GB/T12459、GB/T13401、ASME B16.9、SH3408

SH3409、HG/T21635、HG/T21631、SY/T05010

USE: Petroleum, chemical, power, gas, metallurgy, shipbuilding, etc.



PRODUCT DRAWING



PRODUCT CONSTRUCTION

NAME: **SOCKET UNION**

MATERIAL:

A234-WPB.A420-WPL6.A234-WP12.A234-WP11.A234-WP5.A403-WP304.A403-WP304L.A403-WP316.A403-WP316L.

SIZE: 1/8"-3"、DN6-DN80

PRESSURE: 3000LB、Sch80

STANDARDS: ISO, ANSI, JIS, DIN GB/T12459、GB/T13401、ASME B16.9、SH3408

SH3409、HG/T21635、HG/T21631、SY/T05010

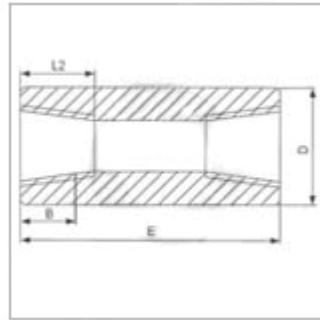
USE: Petroleum, chemical, power, gas, metallurgy, shipbuilding, etc.



公称通径 Nominal pipe size DN		外径 Outside Diameter		壁厚 Wall		承插孔径 Socket Bore	流通孔径 Water way Bore	承插孔深度 Depth of Socket	公称装配长度 Length Assem Nominal	L
		Dmin		Cmin		d1	d2	min		
		A	B(in)	承插焊 Socket	螺纹 Threaded	承插焊 Socket	螺纹 Threaded	承插焊 Socket	承插焊、螺纹 Socket & Threaded	
6	1/8	21.8	14.7	3.2	2.5	10.65	6.43	10	41.4	
8	1/4	21.8	19.0	3.3	3.1	14.10	9.45	10	41.4	
10	3/8	25.9	22.9	3.5	3.2	17.55	13.51	10	46.0	
15	1/2	31.2	27.7	4.1	3.8	21.70	17.07	10	49.0	
20	3/4	37.1	33.5	4.3	4.0	27.05	21.39	13	56.9	
25	1	45.5	41.4	5.0	4.6	33.80	27.74	13	62.0	
32	1 1/4	54.9	50.5	5.3	4.9	42.55	35.36	13	71.1	
40	1 1/2	61.5	57.2	5.6	5.1	48.65	41.20	13	76.5	
50	2	75.2	70.1	6.1	5.6	61.10	52.12	16	86.1	
65	2 1/2	91.7	85.3	7.7	7.1	73.80	64.31	16	102.4	
80	3	109.2	102.4	8.4	7.7	89.80	77.27	16	109.0	

NAME: **THREADED COUPLING**

MATERIAL:



A234-WPB.A420-WPL6.A234-WP12.A234-WP11.A234-WP5.A403-WP304.A403-WP304L.A403-WP316.A403-WP316L.

SIZE: 1/8"-4"、DN6-DN100

PRESSURE GRADE: 2000LB、3000LB、6000LB、Sch40、Sch80、Sch160

STANDARDS: ISO, ANSI, JIS, DIN, GB/T12459、GB/T13401、ASME B16.9、SH3408 SH3409、HG/T21635、HG/T21631、

SY/T05010

USE: Petroleum, chemical, power, gas, metallurgy, shipbuilding, etc.

THREADED COUPLING

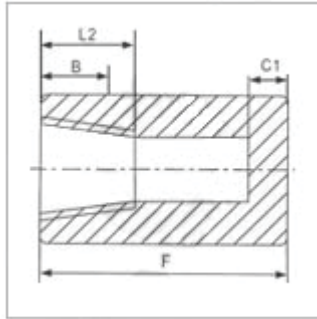
PRODUCT CONSTRUCTION



Nominal Pipe Size DN		End to End				End Wall Thickness		Length of Thread (min)	
		E		F		Clmin			
A	B(in)	3000LB	6000LB	3000LB	6000LB	3000LB	6000LB	NPT	Rc
		Sch80	Sch160	Sch80	Sch160	Sch80	Sch160		
6	1/8	32		19	–	5.0	–	6.5	6.5
8	1/4	35		25	27	5.0	6.5	8.0	10.0
10	3/8	38		25	27	5.0	6.5	9.0	10.5
15	1/2	48		32	33	6.5	8.0	11.0	13.5
20	3/4	51		37	38	6.5	8.0	12.5	14.0
25	1	60		41	43	9.5	11.0	14.5	17.5
32	1 ¹ / ₄	67		44	46	9.5	11.0	17.0	18.0
40	1 ¹ / ₂	76		44	48	11.0	12.5	18.0	18.5
50	2	86		48	51	12.5	16.0	19.0	19.0
65	2 ¹ / ₂	92		60	64	16.0	19.0	23.5	29.0
80	3	108		65	68	19.0	22.0	26.0	30.5
100	4	121		68	75	22.0	28.5	27.5	33.0

NAME: **THREADED CAP**

MATERIAL:



A234-WPB.A420-WPL6.A234-WP12.A234-WP11.A234-WP5.A403-WP304.A403-WP304L.A403-WP316.A403-WP316L.

SIZE: 1/8"-4", DN6-DN100

PRESSURE GRADE: 2000LB、3000LB、6000LB、Sch40、Sch80、Sch160

STANDARDS: ISO, ANSI, JIS, DIN GB/T12459, GB/T13401, ASME B16.9, SH3408 SH3409, HG/T21635, HG/T21631,

SY/T05010

USE: Petroleum, chemical, power, gas, metallurgy, shipbuilding, etc.

THREADED CAP

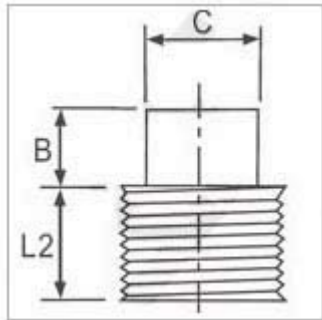
PRODUCT CONSTRUCTION

PPG

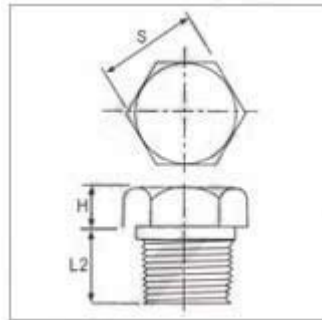
Nominal Pipe Size DN		F		End Wall Thickness		Length of Thread(min)	
				Clmin			
A	B(in)	3000LB	6000LB	3000LB	6000LB	NPT	Rc
		Sch160	XXS	Sch160	XXS		
6	1/8	19	–	5.0	–	6.5	6.5
8	1/4	25	27	5.0	6.5	8.0	10.0
10	3/8	25	27	5.0	6.5	9.0	10.5
15	1/2	32	33	6.5	8.0	11.0	13.5
20	3/4	37	38	6.5	8.0	12.5	14.0
25	1	41	43	9.5	11.0	14.5	17.5
32	1 ¹ / ₄	44	46	9.5	11.0	17.0	18.0
40	1 ¹ / ₂	44	48	11.0	12.5	18.0	18.5
50	2	48	51	12.5	16.0	19.0	19.0
65	2 ¹ / ₂	60	64	16.0	19.0	23.5	29.0
80	3	65	68	19.0	22.0	26.0	30.5
100	4	68	75	22.0	28.5	27.5	33.0



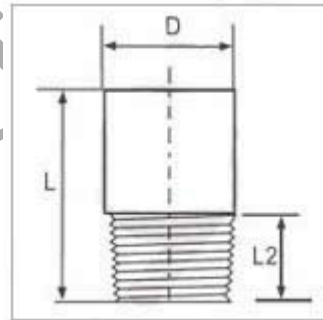
Square head plug



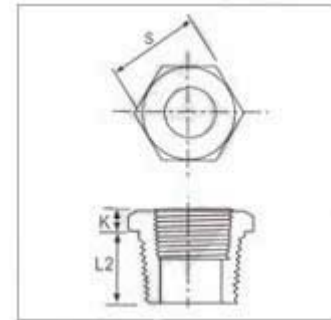
Hex head plug



Round head plug



Hex head bushing





NAME: **THREADED PLUGS**

MATERIAL: A234-WPB.A420-WPL6.A234-WP12.A234-WP11.A234-WP5.A403-WP304.A403-WP304L.A403-WP316.A403-WP316L.

SIZE: 1/8"-4"、DN6-DN100

PRESSURE GRADE: 2000LB、3000LB、6000LB、Sch40、Sch80、Sch160

STANDARDS: ISO, ANSI, JIS, DIN GB/T12459、GB/T13401、ASME B16.9、SH3408

SH3409、HG/T21635、HG/T21631、SY/T05010

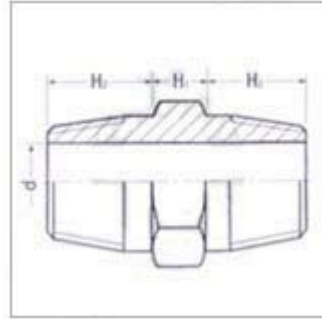
USE: Petroleum, chemical, power, gas, metallurgy, shipbuilding, etc.

PPGGL

Nominal Pipe Size DN		Length of Thread	Square Head Plug		Round Head Plug		Hex Head Plug		
			Height of Square	Width Of Flats	Diameter of Round Head	End to End	Width Of Flats	Hex Height	
A	B(in)	L2min	Bmin	Cmin	D	Lmin	S	Kmin	Hmin
6	1/8	9.5	6	7.0	10	35	11.0	-	6
8	1/4	11.0	6	9.5	13	41	16.0	3	6
10	3/8	12.5	8	11.0	17	41	17.5	4	8
15	1/2	14.5	10	14.5	21	44	22.0	5	8
20	3/4	16.0	11	16.0	27	44	27.0	6	10
25	1	19.0	13	20.5	33	51	35.0	6	10
32	1 _{1/4}	20.5	14	24.5	43	51	44.5	7	14
40	1 _{1/2}	20.5	16	28.5	48	51	51.0	8	16
50	2	22.0	17	33.5	60	64	63.5	9	17
65	2 _{1/2}	27.0	19	38.0	73	70	76.0	10	19
80	3	28.5	21	43.0	89	70	89.0	10	21
100	4	32.0	25	63.5	114	76	117.5	13	25



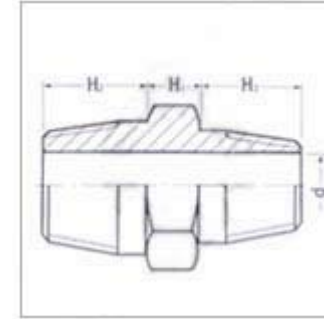
HEX HEAD UNION



PRODUCT CONSTRUCTION



REDUCING HEX HEAD UNION



PRODUCT CONSTRUCTION

NAME: **HEX HEAD UNION**

MATERIAL: A234-WPB.A420-WPL6.A234-WP12.A234-WP11.A234-WP5.A403-WP304.A403-WP304L.A403-WP316.A403-WP316L.

SIZE: 1/8"-3", DN6-DN80

PRESSURE GRADE: 3000LB、6000LB、9000LB、Sch80、Sch160、XXS

STANDARDS: ISO, ANSI, JIS, DIN GB/T12459、GB/T13401、ASME B16.9、SH3408

SH3409、HG/T21635、HG/T21631、SY/T05010

USE: Petroleum, chemical, power, gas, metallurgy, shipbuilding, etc.

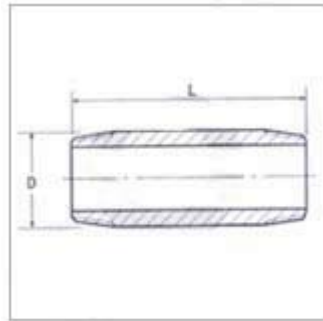
Nominal Pipe Size DN		size			
A	B(in)	d	H	L1	L2
6	1/8	4.1	6	10	-
8	1/4	7.1	8	14	-
10	3/8	8.9	8	14	-
10*8	3/8*1/4	7.1	8	14	14
15	1/2	11.9	9	19	-
15*10	1/2*3/8	8.9	9	19	14
15*8	1/2*1/4	7.1	9	19	14
20	3/4	16.0	10	19	-
20*15	3/4*1/2	11.9	10	19	19
20*10	3/4*3/8	8.9	10	19	14
20*8	3/4*1/4	7.1	10	19	14
25	1	20.1	11	24	-
25*20	1*3/4	16.0	11	24	19
25*15	1*1/2	11.9	11	24	19
25*10	1*3/8	8.9	11	24	14
32	1 ¹ / ₄	27.9	12	24	-



32*25	1 ¹ / ₄ *1	20.1	12	24	24
32*20	1 ¹ / ₄ *3/4	16.0	12	24	19
32*15	1 ¹ / ₄ *1/2	11.9	12	24	19
40	1 ¹ / ₂	32.0	14	25	-
40*32	1 ¹ / ₂ *1 ¹ / ₄	27.9	14	25	24
40*25	1 ¹ / ₂ *1	20.1	14	25	24
40*20	1 ¹ / ₂ *3/4	16.0	14	25	19
50	2	39.9	16	26	-
50*40	2*1 ¹ / ₂	32.0	16	26	25
50*32	2*1 ¹ / ₄	27.9	16	26	24
50*25	2*1	20.1	16	26	24
65	2 ¹ / ₂	55.1	18	38	-
65*50	2 ¹ / ₂ *2	39.9	18	38	26
65*40	2 ¹ / ₂ *1 ¹ / ₂	32.0	18	38	25
65*32	2 ¹ / ₂ *1 ¹ / ₄	27.9	18	38	24
80	3	65.0	20	40	-
80*65	3*2 ¹ / ₂	55.1	20	40	38
80*50	3*2	39.9	20	40	26
80*40	3*1 ¹ / ₂	32.0	20	40	25

NAME: **NIPPLE**

MATERIAL:



A234-WPB.A420-WPL6.A234-WP12.A234-WP11.A234-WP5.A403-WP304.A403-WP304L.A403-WP316.A403-WP316L.

SIZE: 1/8"-4"、DN6-DN100

PRESSURE GRADE: 3000LB、6000LB、9000LB、Sch80、Sch160、XXS

STANDARDS: ISO, ANSI, JIS, DIN, GB/T12459、GB/T13401、ASME B16.9、SH3408

SH3409、HG/T21635、HG/T21631、SY/T05010

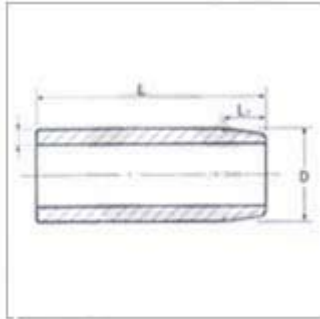
USE: Petroleum, chemical, power, gas, metallurgy, shipbuilding, etc.

NIPPLE

PRODUCT CONSTRUCTION

NAME: HALF-NIPPLE

MATERIAL:



A234-WPB.A420-WPL6.A234-WP12.A234-WP11.A234-WP5.A403-WP304.A403-WP304L.A403-WP316.A403-WP316L.

SIZE: 1/8"-4", DN6-DN100

PRESSURE GRADE: 3000LB、6000LB、9000LB、Sch80、Sch160、XXS

STANDARDS: ISO, ANSI, JIS, DIN GB/T12459、GB/T13401、ASME B16.9、SH3408

SH3409、HG/T21635、HG/T21631、SY/T05010

USE: Petroleum, chemical, power, gas, metallurgy, shipbuilding, etc.

HALF-NIPPLE

PRODUCT CONSTRUCTION



Nominal Pipe Size		Outside Diameter	Length of Thread	End to End	Wall Thickness
DN					
A	B(min)	D	L ₂	L	T
6	1/8	10.30	9.5	60 90 120 150 180	sch80 sch160 2000LB 3000LB
8	1/4	13.7	11.0		
10	3/8	17.1	12.5		
15	1/2	21.3	14.5		
20	3/4	26.7	16.0		
25	1	33.4	19.0		
32	1 1/4	42.2	20.5		
40	1 1/2	48.3	20.5		
50	2	60.3	22.0		
65	2 1/2	73.0	27.0		
80	3	88.9	28.5		
100	4	114.3	32.0		



NOTE:

1) THE LENGTH COULD BE GIVEN BY CLIENTS.

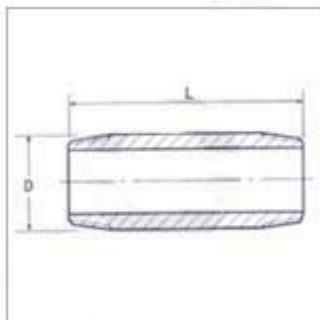
2) THE THREADED BE MADE ACCORDING TO 60°NPT, WHICH PRESCRIBED IN GB/T 12716 (ANSI/ASME B1.20.1) .WE ALSO CAN PRODUCT ACCORDING TO 55°RC WHICH

PRESCRIBE IN GB 7306.IT SHOULD BE NOTE CLEAR WHEN ORDER

PPGL

NAME: **NIPPLE**

MATERIAL:



A234-WPB.A420-WPL6.A234-WP12.A234-WP11.A234-WP5.A403-WP304.A403-WP304L.A403-WP316.A403-WP316L.

SIZE: 1/8"-4"、DN6-DN100

PRESSURE GRADE: 3000LB、6000LB、9000LB、Sch80、Sch160、XXS

STANDARDS: ISO, ANSI, JIS, DIN, GB/T12459、GB/T13401、ASME B16.9、SH3408

SH3409、HG/T21635、HG/T21631、SY/T05010

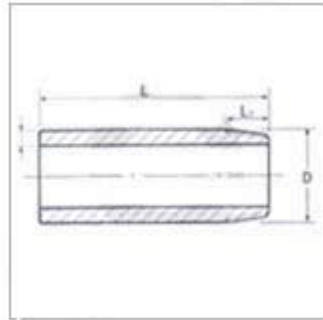
USE: Petroleum, chemical, power, gas, metallurgy, shipbuilding, etc.

NIPPLE

PRODUCT CONSTRUCTION

NAME: HALF-NIPPLE

MATERIAL:



A234-WPB.A420-WPL6.A234-WP12.A234-WP11.A234-WP5.A403-WP304.A403-WP304L.A403-WP316.A403-WP316L.

SIZE: 1/8"-4", DN6-DN100

PRESSURE GRADE: 3000LB、6000LB、9000LB、Sch80、Sch160、XXS

STANDARDS: ISO, ANSI, JIS, DIN GB/T12459、GB/T13401、ASME B16.9、SH3408

SH3409、HG/T21635、HG/T21631、SY/T05010

USE: Petroleum, chemical, power, gas, metallurgy, shipbuilding, etc.

HALF-NIPPLE

PRODUCT CONSTRUCTION



Nominal Pipe Size		Outside Diameter	Length of Thread	End to End	Wall Thickness
DN					
A	B(min)	D	L ₂	L	T
6	1/8	10.30	9.5	60 90 120 150 180	sch80 sch160 2000LB 3000LB
8	1/4	13.7	11.0		
10	3/8	17.1	12.5		
15	1/2	21.3	14.5		
20	3/4	26.7	16.0		
25	1	33.4	19.0		
32	1 1/4	42.2	20.5		
40	1 1/2	48.3	20.5		
50	2	60.3	22.0		
65	2 1/2	73.0	27.0		
80	3	88.9	28.5		
100	4	114.3	32.0		



NOTE:

1) THE LENGTH COULD BE GIVEN BY CLIENTS.

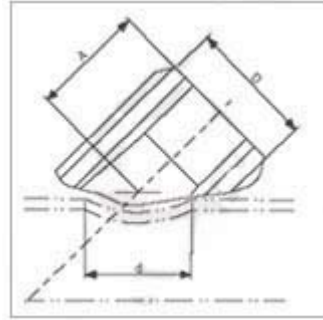
2) THE THREADED BE MADE ACCORDING TO 60°NPT, WHICH PRESCRIBED IN GB/T 12716 (ANSI/ASME B1.20.1) .WE ALSO CAN PRODUCT ACCORDING TO 55°RC WHICH

PRESCRIBE IN GB 7306.IT SHOULD BE NOTE CLEAR WHEN ORDER

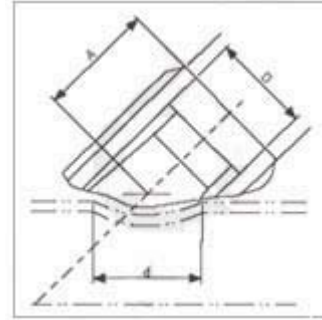
PPGL



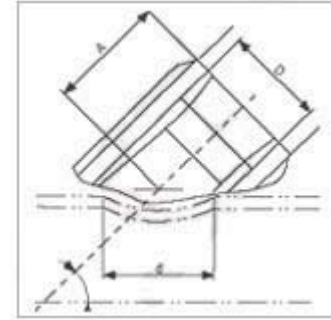
45°LATERAL OLET



BUTT-WELDED 45°LATERAL
OLET-CONSTRUCTION



SOCKET 45°LATERAL
OLET-CONSTRUCTION



THREADED 45°LATERAL
OLET-CONSTRUCTION

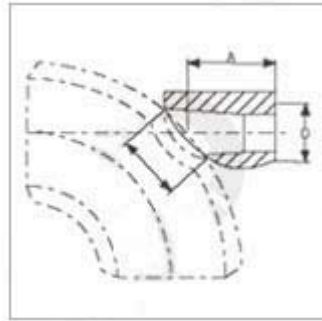
PPGL



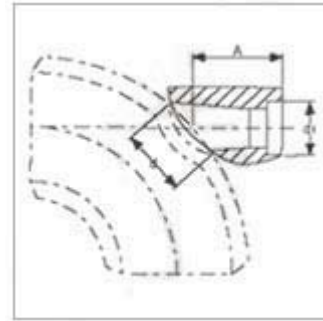
Run pipe		Branch outlet		Butt-welding		Socket-welding		Threaded	
DN	NPS	DN	NPS	STD.XS	Sch160	3000LB	6000LB	3000LB	6000LB
20-900	3/4-36	15	1/2	45	50	45	50	45	50
25-900	1-36	20	3/4	50	58	50	58	50	58
32-900	1 ¹ / ₄ -36	25	1	60	70	60	70	60	70
40-900	1 ¹ / ₂ -36	32	1 ¹ / ₄	68	76	68	76	68	76
50-900	2-36	40	1 ¹ / ₂	75	83	75	83	75	83
65-900	2 ¹ / ₂ -36	50	2	90	98	90	98	90	98
80-900	3-36	65	2 ¹ / ₂	95	105	-	-	-	-
100-900	4-36	80	3	120	130	-	-	-	-
125-900	5-36	100	4	140	150	-	-	-	-



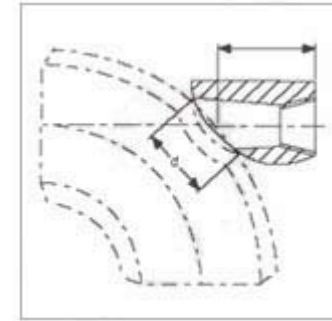
ELBOW OLET



BUTT-WELDED ELBOW
OLET--CONSTRUCTION



SOCKET ELBOW OLET--CONSTRUCTION



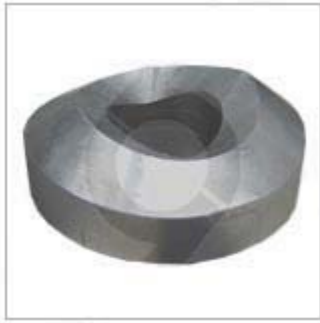
THREADED ELBOW
OLET--CONSTRUCTION

PPGL

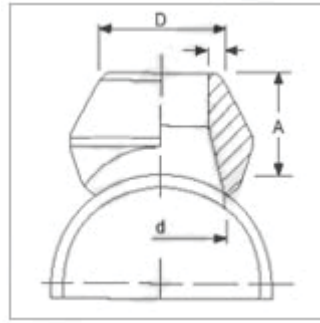


Run pipe		Branch outlet		Butt-welding		Socket-welding		Threaded	
DN	NPS	DN	NPS	STD.XS	Sch160	3000LB	6000LB	3000LB	6000LB
20-900	3/4-36	15	1/2	45	50	45	50	45	50
25-900	1-36	20	3/4	50	58	50	58	50	58
32-900	1 ^{1/4} -36	25	1	60	70	60	70	60	70
40-900	1 ^{1/2} -36	32	1 ^{1/4}	68	76	68	76	68	76
50-900	2-36	40	1 ^{1/2}	75	83	75	83	75	83
65-900	2 ^{1/2} -36	50	2	90	98	90	98	90	98
80-900	3-36	65	2 ^{1/2}	95	105	-	-	-	-
100-900	4-36	80	3	120	130	-	-	-	-
125-900	5-36	100	4	140	150	-	-	-	-

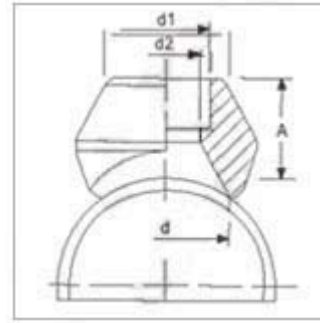
P



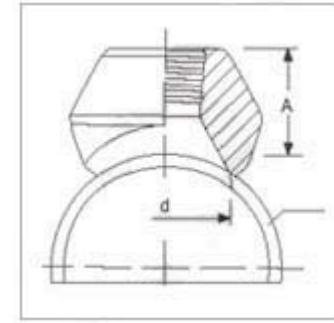
OLET



BUTT-WELDED OLET--CONSTRUCTION



SOCKET OLET--CONSTRUCTION



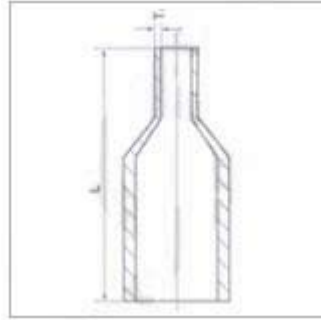
THREADED OLET--CONSTRUCTION

PPGL

Nominal pipe size				A					
Run pipe		Branch outlet		Butt-welding		Socket-welding		Threaded	
DN	NPS	DN	NPS	STD.XS	Sch160	3000LB	6000LB	3000LB	6000LB
8-900	1/4-36	6	1/8	16	-	20	-	19	-
10-900	3/8-36	8	1/4	16	-	20	-	19	-
15-900	1/2-36	10	3/8	19	-	23	-	21	-
20-900	3/4-36	15	1/2	19	19	26	24	25	32
25-900	1-36	20	3/4	22	22	29	25	27	37
32-900	1 ¹ / ₄ -36	25	1	27	27	35	29	33	40
40-900	1 ¹ / ₂ -36	32	1 ¹ / ₄	32	32	35	30	33	41
50-900	2-36	40	1 ¹ / ₂	33	33	37	32	35	43
65-900	2 ¹ / ₂ -36	50	2	38	38	40	37	38	52
80-900	3-36	65	2 ¹ / ₂	41	-	41	-	46	-
100-900	4-36	80	3	44	-	46	-	51	-
125-900	5-36	100	4	51	51	49	-	57	-



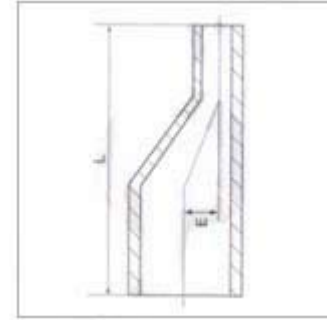
CONCENTRIC REDUCING NIPPLE



CONSTRUCTION REDUCING NIPPLE--CONSTRUCTION



ECCENTRIC REDUCING NIPPLE



ECCENTRIC REDUCING NIPPLE--CONSTRUCTION

PPGL



Nominal Pipe Size		L	E
DN	NPS		
10*8	3/8*1/4	64	1.7
15*8	1/2*1/4	70	1.9
15*10	1/2*3/8	70	1.05
20*8	3/4*1/4	76	6.5
20*10	3/4*3/8	76	4.8
20*15	3/4*1/2	76	2.7
25*8	1*1/4	89	10.2
25*10	1*3/8	89	8.6
25*15	1*1/2	89	6.5
25*20	1*3/4	89	3.0
32*8	1 1/4*1/4	102	14.2
32*10	1 1/4*3/8	102	12.5
32*15	1 1/4*1/2	102	10.4
32*20	1 1/4*3/4	102	7.7
32*25	1 1/4*1	102	3.9
40*8	1 1/2*1/4	114	17.3
40*10	1 1/2*3/8	114	15.6
40*15	1 1/2*1/2	114	13.5



40*20	1 $\frac{1}{2}$ *3/4	114	12.6
40*25	1 $\frac{1}{2}$ *1	114	6.9
40*32	1 $\frac{1}{2}$ *1 $\frac{1}{4}$	114	3.0
50*8	2*1/4	165	23.3
50*10	2*3/8	165	21.6
50*15	2*1/2	165	19.5
50*20	2*3/4	165	16.8
50*25	2*1	165	13.0
50*32	2*1 $\frac{1}{4}$	165	9.1
50*40	2*1 $\frac{1}{2}$	165	6.0
65*15	2 $\frac{1}{2}$ *1/2	178	25.1
65*20	2 $\frac{1}{2}$ *3/4	178	23.2
65*25	2 $\frac{1}{2}$ *1	178	19.4
65*32	2 $\frac{1}{2}$ *1 $\frac{1}{4}$	178	15.5
65*40	2 $\frac{1}{2}$ *1 $\frac{1}{2}$	178	12.4
65*50	2 $\frac{1}{2}$ *2	178	6.4
80*15	3*1/2	203	33.8
80*20	3*3/4	203	31.1
80*25	3*1	203	27.3
80*32	3*1 $\frac{1}{4}$	203	23.4



80*40	3*1 ¹ / ₂	203	20.3
80*50	3*2	203	14.3
80*65	3*2 ¹ / ₂	203	7.9
100*15	4*1 ¹ / ₂	229	46.5
100*20	4*3 ⁴ / ₄	229	43.8
100*25	4*1	229	40.0
100*32	4*1 ¹ / ₄	229	36.1
100*40	4*1 ¹ / ₂	229	33.0
100*50	4*2	229	27.0
100*65	4*2 ¹ / ₂	229	20.6
100*80	4*3	229	12.7

PRO